

# ALESIS RA150 (G4) Service Manual

P/N: 8-31-0097-A

## **ATTENTION!**

THIS DOCUMENT CONTAINS SENSITIVE PROPRIETARY INFORMATION. ALL RECIPIENTS MUST HAVE A CURRENT NON-DISCLOSURE AGREEMENT ON FILE WITH ALESIS DISTRIBUTION, LLC.

**DO NOT DISTRIBUTE THIS DOCUMENT IN ELECTRONIC FORM**

The information in this document contains privileged and confidential information. It is intended only for the use of those authorized by Alesis. If you are not the authorized, intended recipient, you are hereby notified that any review, dissemination, distribution or duplication of this document is strictly prohibited. If you are not authorized, please contact Alesis and destroy all copies of this document. You may contact Alesis at [support@alesis.com](mailto:support@alesis.com).

Copyright © 2002 Alesis Distribution, LLC.

## **Preface**

This document is intended to assist the service technician in the operation, maintenance and repair of the Alesis device. Together with the User Reference Manual, this document provides a complete description of the functionality and serviceability of the Device. Any comments or suggestions you may have pertaining to the document are welcome and encouraged.

### **READ THIS!**

In addition to any purchase price that Alesis may charge as consideration for Alesis selling or otherwise transferring this service manual ("Manual") to you, if you are not a service and repair facility ("Service Center") authorized by Alesis in writing to be an authorized Service Center, Alesis sells or transfers the Manual to you on the following terms and conditions:

Only Service Centers authorized by Alesis in writing are authorized to perform service and repairs covered by an Alesis warranty (if any), and transfer of the Manual to you does not authorize you to be an authorized Service Center. Therefore, if you perform, or if the Manual is used to perform, any service or repairs on any Alesis product or part thereof, any and all warranties of Alesis as to that product and any service contract with Alesis for that product shall be voided and shall no longer apply for such product, even if your services or repairs were done in accordance with the Manual.

All service or repairs done by you or with reference to the Manual shall be solely your responsibility, and Alesis shall have no liability for any such repairs or service work. All such service or repairs are performed at the sole risk of the person performing the service or repairs. You agree that all such work will be performed in a competent, professional and safe manner at all times and to indemnify and fully hold Alesis and its successors and assigns harmless in the event of any failure to so perform.

Your purchase of the Manual shall be for your own ultimate use and shall not be for purposes of resale or other transfer.

As the owner of the copyright to the Manual, Alesis does not give you the right to copy the Manual, and you agree not to copy the Manual without the written authorization of Alesis. Alesis has no obligation to provide to you any correction of, or supplement to, the Manual, or any new or superseding version thereof.

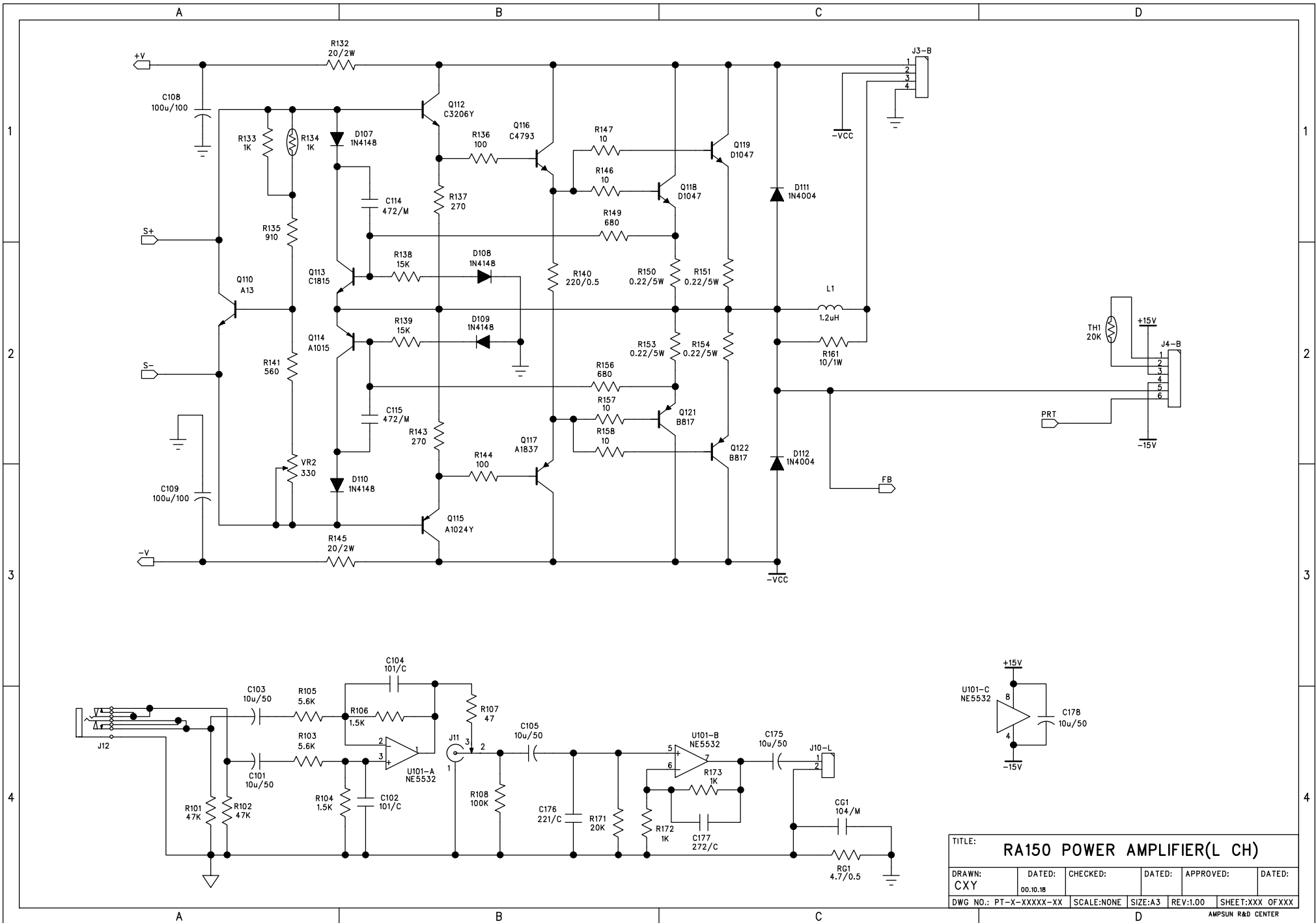
Alesis shall have the right to refuse to sell or otherwise transfer repair parts or materials to you in its sole discretion. You shall not use, sell or otherwise transfer spare or replacement parts supplied by Alesis to you (i) to repair or be used in products manufactured for or by third parties or (ii) to any third parties for any purpose.

You shall not make any warranties or guarantees with respect to the products of Alesis or the use thereof on behalf of Alesis or in your own name.

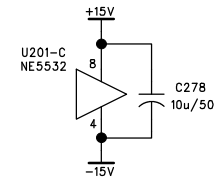
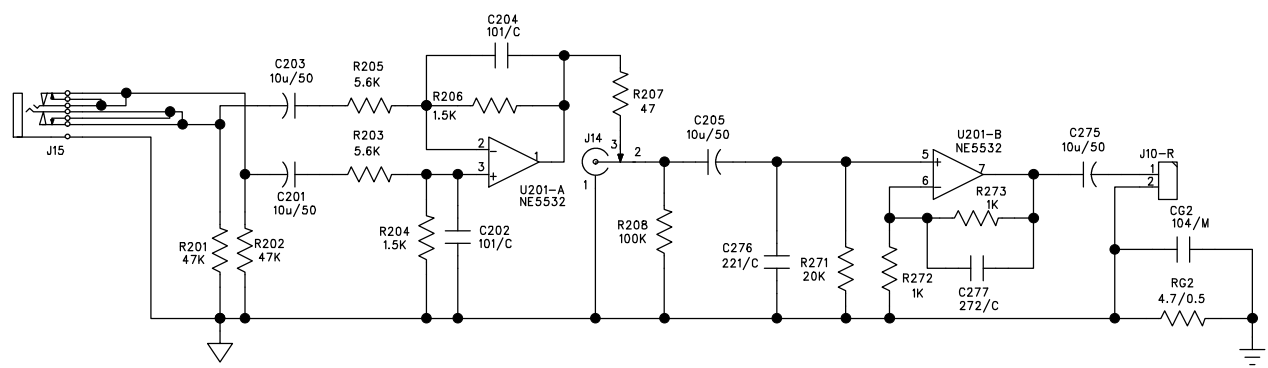
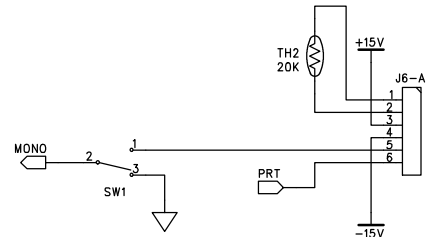
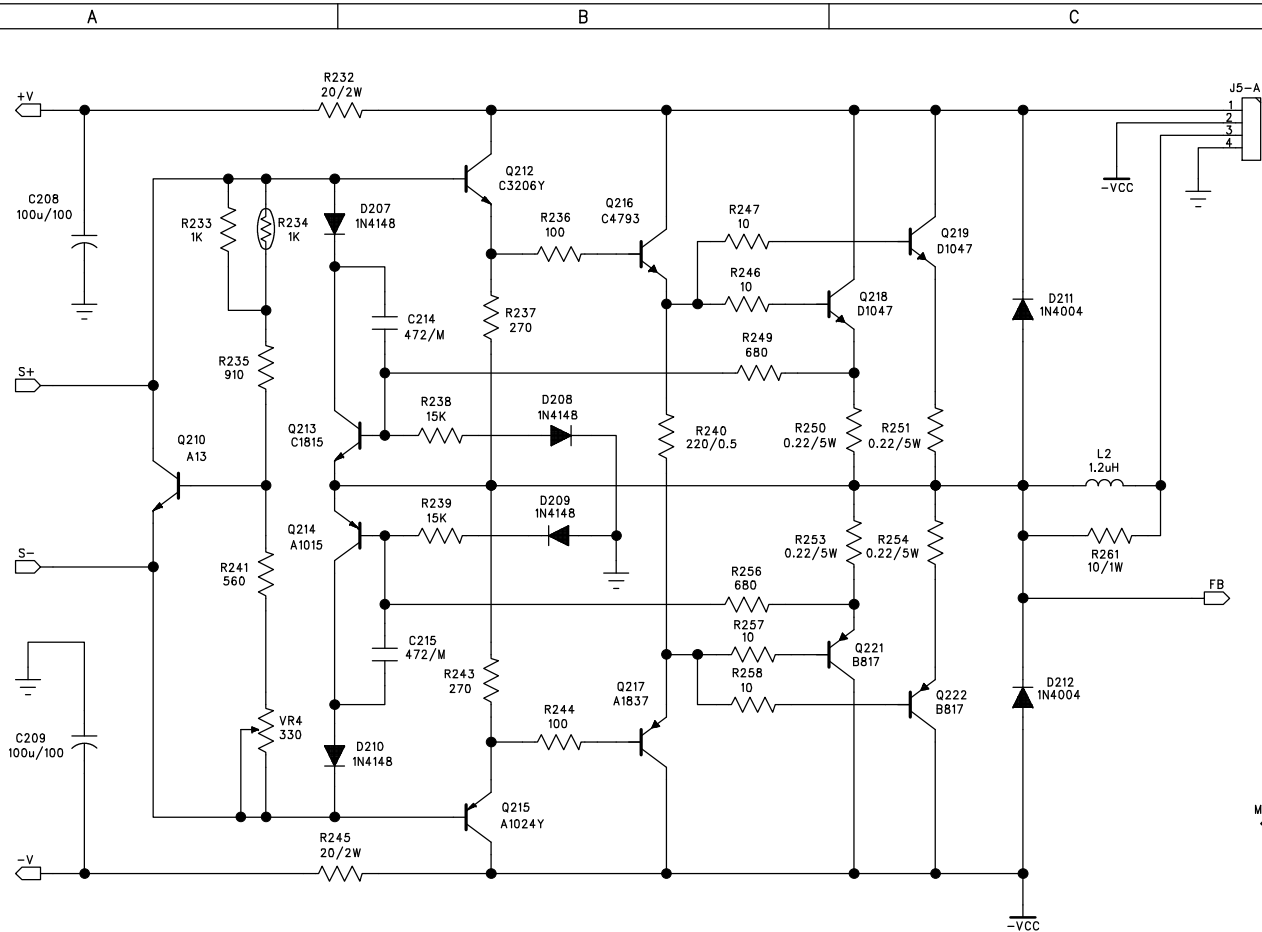
The foregoing describes the entire understanding related to sale or transfer of the Manual to you, and no other terms shall apply unless in a writing signed by an authorized representative of Alesis.

All Trademarks are property of their respective companies.

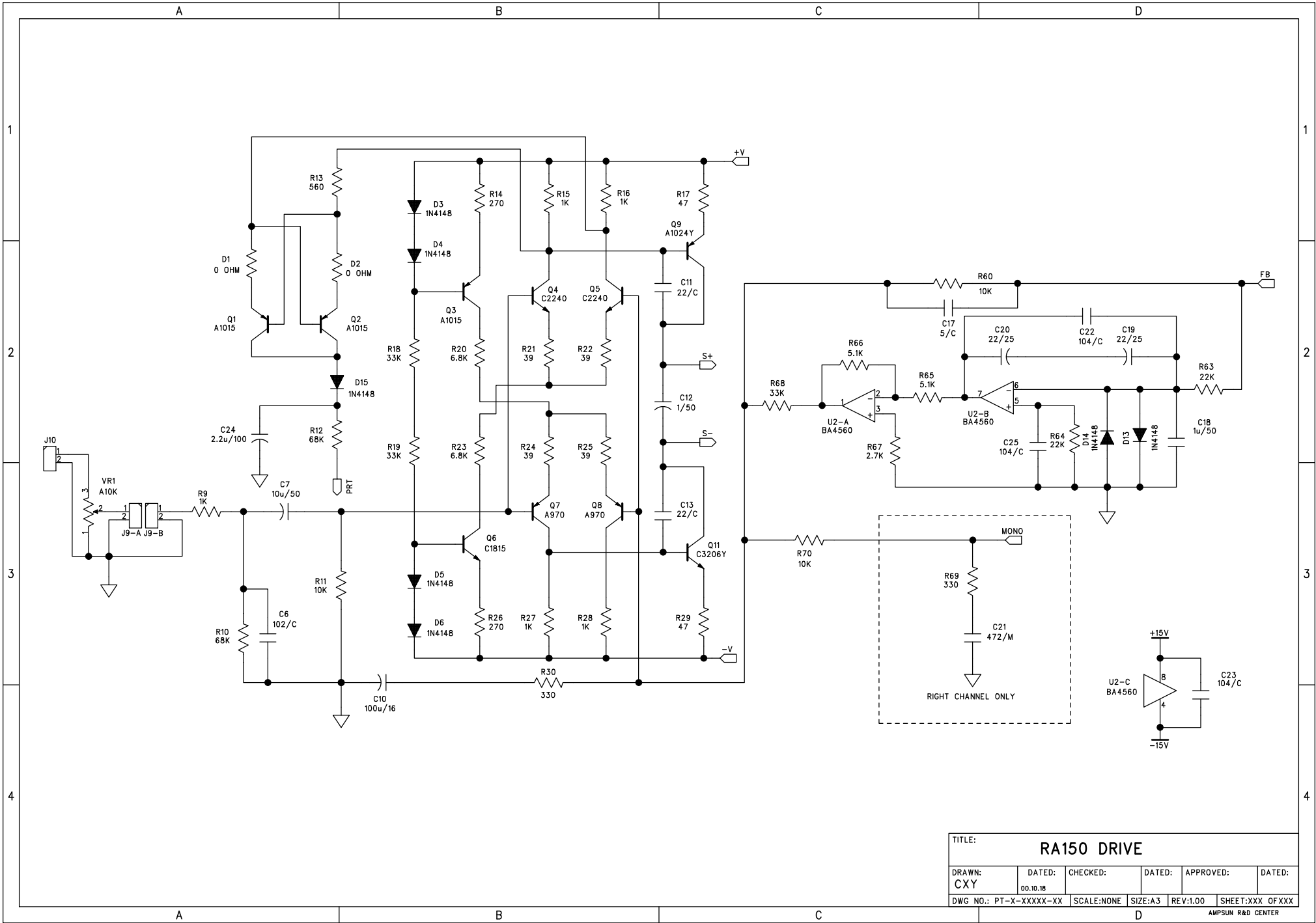
# SCHEMATIC AND PCB FILES



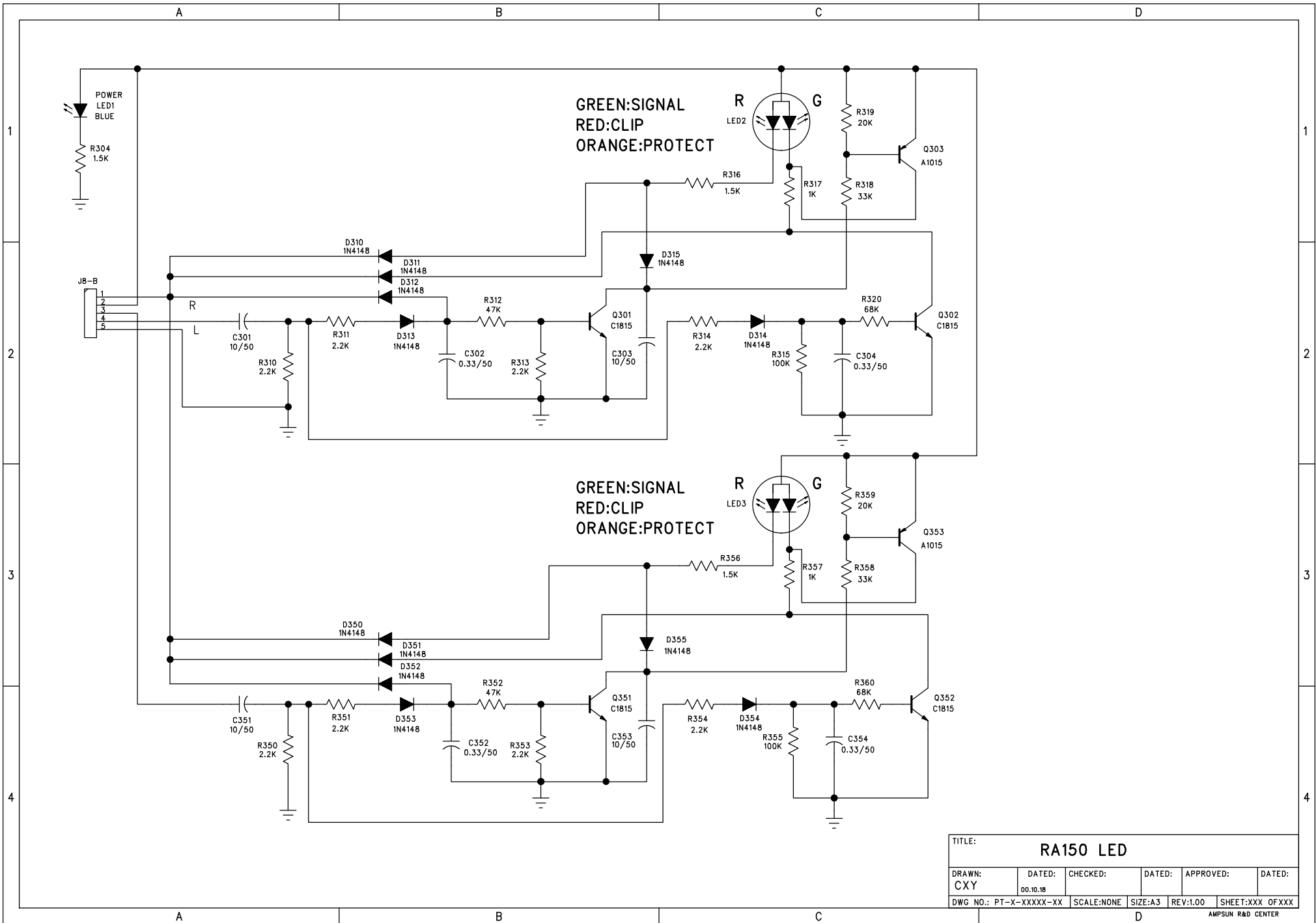
|                                    |                 |          |          |                 |        |
|------------------------------------|-----------------|----------|----------|-----------------|--------|
| TITLE: RA150 POWER AMPLIFIER(L CH) |                 |          |          |                 |        |
| DRAWN: CXY                         | DATED: 00.10.18 | CHECKED: | DATED:   | APPROVED:       | DATED: |
| DWG NO.: PT-X-XXXX-XX              | SCALE:NONE      | SIZE:A3  | REV:1.00 | SHEET:XXX OFXXX |        |
| AMPSUN R&D CENTER                  |                 |          |          |                 |        |



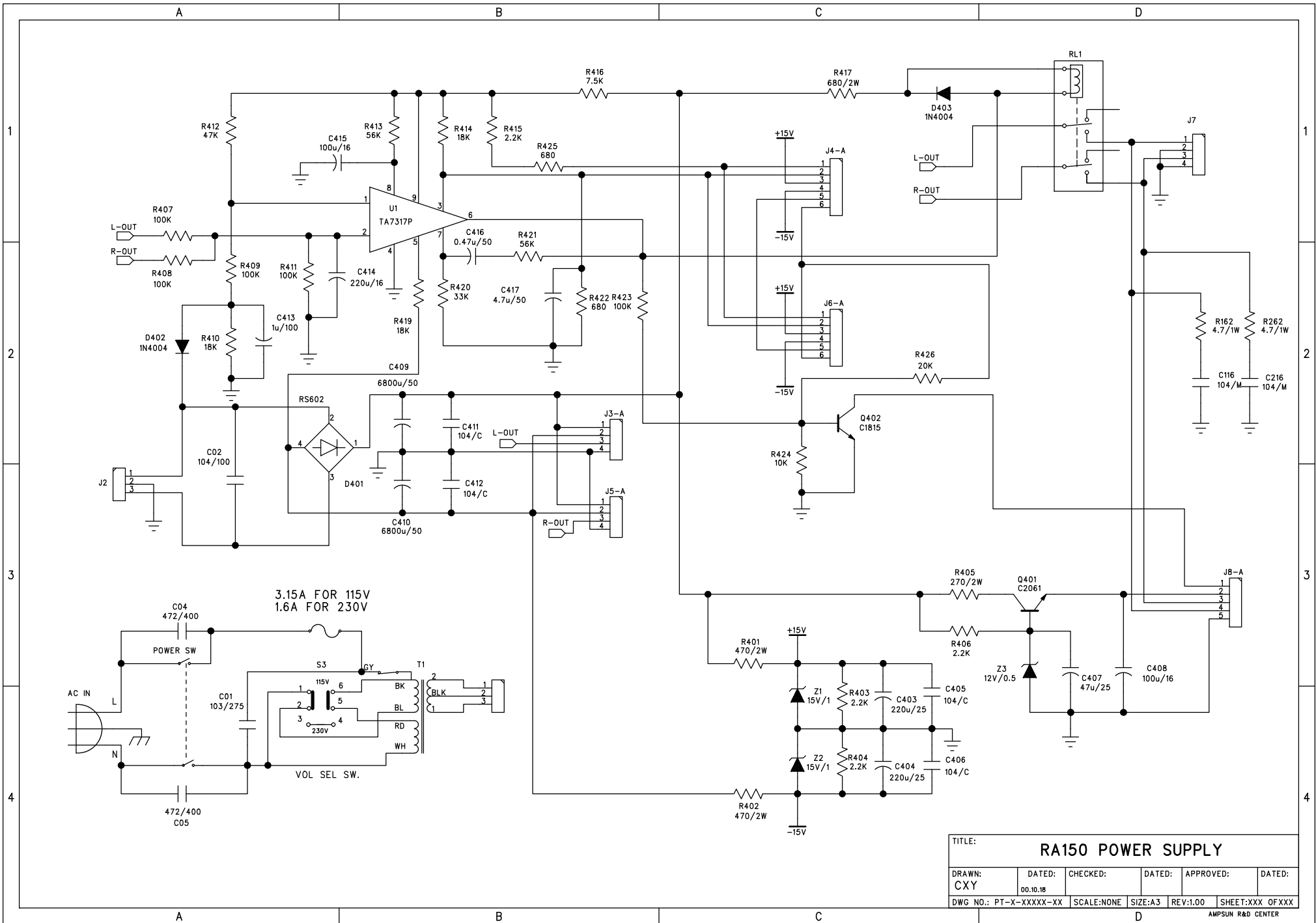
|                                    |                 |          |          |                 |        |
|------------------------------------|-----------------|----------|----------|-----------------|--------|
| TITLE: RA150 POWER AMPLIFIER(R CH) |                 |          |          |                 |        |
| DRAWN: CXY                         | DATED: 00.10.18 | CHECKED: | DATED:   | APPROVED:       | DATED: |
| DWG NO.: PT-X-XXXXX-XX             | SCALE:NONE      | SIZE:A3  | REV:1.00 | SHEET:XXX OFXXX |        |
| AMPSUN R&D CENTER                  |                 |          |          |                 |        |



|                       |                 |          |           |                   |        |
|-----------------------|-----------------|----------|-----------|-------------------|--------|
| TITLE: RA150 DRIVE    |                 |          |           |                   |        |
| DRAWN: CXY            | DATED: 00.10.18 | CHECKED: | DATED:    | APPROVED:         | DATED: |
| DWG NO.: PT-X-XXXX-XX | SCALE: NONE     | SIZE: A3 | REV: 1.00 | SHEET: XXX OF XXX |        |



|                       |                    |          |          |                 |        |
|-----------------------|--------------------|----------|----------|-----------------|--------|
| TITLE: RA150 LED      |                    |          |          |                 |        |
| DRAWN:<br>CXY         | DATED:<br>00.10.18 | CHECKED: | DATED:   | APPROVED:       | DATED: |
| DWG NO.: PT-X-XXXX-XX | SCALE:NONE         | SIZE:A3  | REV:1.00 | SHEET:XXX OFXXX |        |
| AMPSUN R&D CENTER     |                    |          |          |                 |        |



|                           |                 |          |           |                   |        |
|---------------------------|-----------------|----------|-----------|-------------------|--------|
| TITLE: RA150 POWER SUPPLY |                 |          |           |                   |        |
| DRAWN: CXY                | DATED: 00.10.18 | CHECKED: | DATED:    | APPROVED:         | DATED: |
| DWG NO.: PT-X-XXXX-XX     | SCALE: NONE     | SIZE: A3 | REV: 1.00 | SHEET: XXX OF XXX |        |



6

5

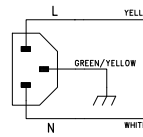
4

3

2

1

IEC CONNECTOR



POWER SW PCB

13.15L250V FOR 115V  
T14L250V FOR 230V

F1

STEREO

4 OHM  
L

4 OHM  
R

MONO  
8 OHM

BINDING POST

D

D

C

C

B

B

A

A

L CHANNEL DRIVE PCB

L CHANNEL VR PCB

L CHANNEL AMP PCB

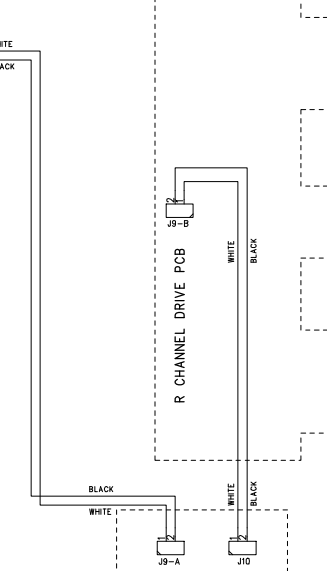
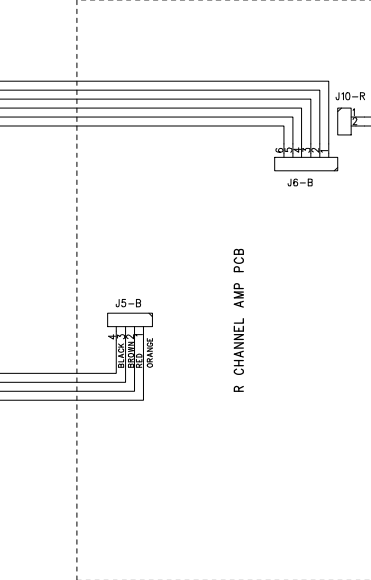
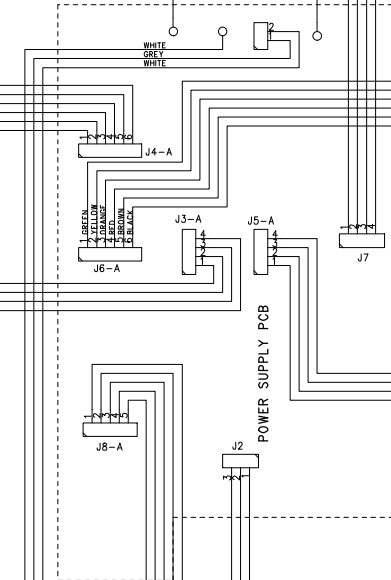
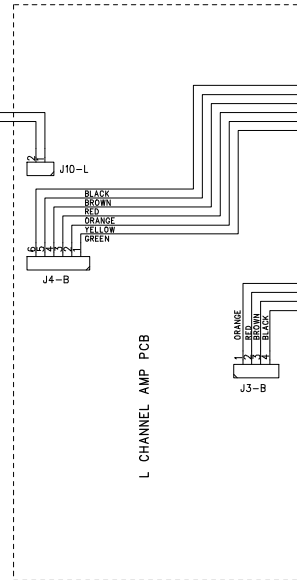
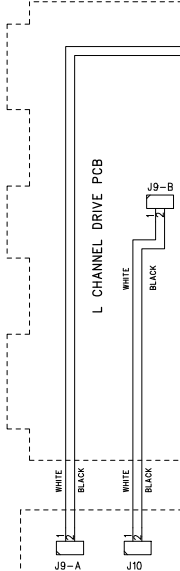
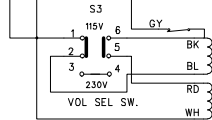
POWER SUPPLY PCB

R CHANNEL AMP PCB

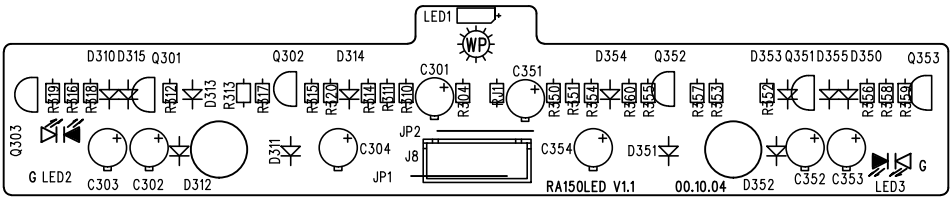
R CHANNEL DRIVE PCB

R CHANNEL VR PCB

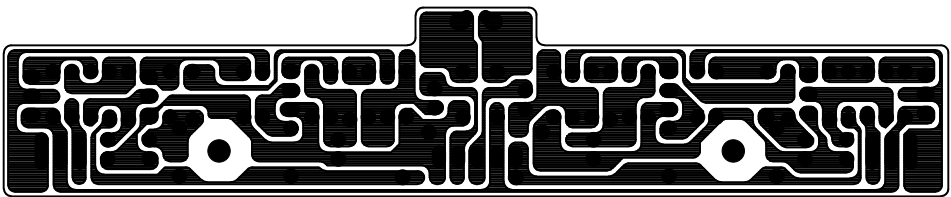
LED METER PCB

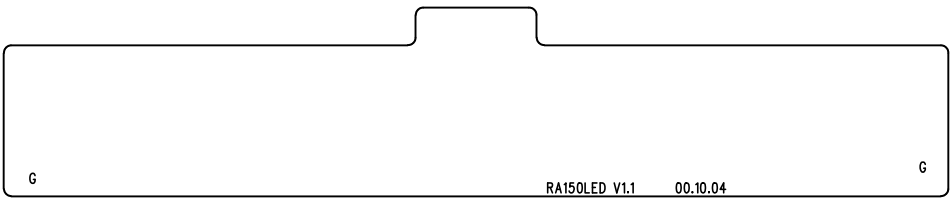


|                                     |                    |          |         |               |        |
|-------------------------------------|--------------------|----------|---------|---------------|--------|
| COMPANY: HOMNI ENTERPRISES CO.,LTD. |                    |          |         |               |        |
| TITLE: RA150 WIRING DIGRAM          |                    |          |         |               |        |
| DRAWN:<br>CXY                       | DATED:<br>00.12.02 | CHECKED: | DATED:  | APPROVED:     | DATED: |
| DWG NO: PT-X-XXXX-XX                | SCALE:ND           | SIZE:A2  | REV:100 | SHEET: X OF X |        |



HOMNI ENTERPRISES CO.,LTD  
 RA150LED V1.1 00.10.04  
 SILKSCREEN TOP SIDE





# RA150 (G4) BOM

# BOM

| BOM     |              |          |             |       |                                         | PE-QT-016-A |
|---------|--------------|----------|-------------|-------|-----------------------------------------|-------------|
| PRODUCT |              | HOEM AMP |             | MODEL | RA150(2*75W) AMP BOARD PARTS(R CHANNEL) | PAGE        |
| NO.     | PART NO.     |          | MODEL       |       | SPECIFICATION                           | QTY         |
| 1       | CB0118001001 |          | PCB         |       | RA300AR,V1.2(178.5*80.5mm),2OZ??        | 1           |
| 2       | JP1080500000 |          | JUMPER      |       | è0.8*5mm                                | 1           |
| 3       | JP1080750000 |          | JUMPER      |       | è0.8*7.5mm                              | 5           |
| 4       | JP1081000000 |          | JUMPER      |       | è0.8*10mm                               | 8           |
| 5       | JP1081250000 |          | JUMPER      |       | è0.8*12.5mm                             | 3           |
| 6       | JP1081500000 |          | JUMPER      |       | è0.8*15mm                               | 2           |
| 7       | RR0100000210 |          | C/R         |       | 1/8W,0 ohm,+/-5%,                       | 2           |
| 8       | RR0101000210 |          | C/R         |       | 1/8W,10 ohm,+/-5%,                      | 4           |
| 9       | RR0104700210 |          | C/R         |       | 1/8W,47 ohm,+/-5%,                      | 1           |
| 10      | RR0110000210 |          | C/R         |       | 1/8W,100 ohm,+/-5%,                     | 2           |
| 11      | RR0127000210 |          | C/R         |       | 1/8W,270 ohm,+/-5%,                     | 2           |
| 12      | RR0156000210 |          | C/R         |       | 1/8W,560 ohm,+/-5%,                     | 1           |
| 13      | RR0168000210 |          | C/R         |       | 1/8W,680 ohm,+/-5%,                     | 2           |
| 14      | RR0191000210 |          | C/R         |       | 1/8W,910 ohm,+/-5%,                     | 1           |
| 15      | RR0110010210 |          | C/R         |       | 1/8W,1K ohm,+/-5%,                      | 1           |
| 16      | RR0115010210 |          | C/R         |       | 1/8W,1.5K ohm,+/-5%,                    | 2           |
| 17      | RR0156010210 |          | C/R         |       | 1/8W,5.6K ohm,+/-5%,                    | 2           |
| 18      | RR0115020210 |          | C/R         |       | 1/8W,15K ohm,+/-5%,                     | 2           |
| 19      | RR0120020210 |          | C/R         |       | 1/8W,20K ohm,+/-5%,                     | 1           |
| 20      | RR0147020210 |          | C/R         |       | 1/8W,47K ohm,+/-5%,                     | 2           |
| 21      | RR0110030210 |          | C/R         |       | 1/8W,100K ohm,+/-5%,                    | 1           |
| 22      | RR0122000410 |          | C/R         |       | 1/2W,220 ohm,+/-5%,                     | 1           |
| 23      | RR0410010210 |          | M/R         |       | 1/8W,1K ohm,+/-1%,                      | 2           |
| 24      | RR0300470410 |          | MO/R        |       | 1/2W,4.7 ohm,+/-5%,                     | 1           |
| 25      | RR0301000520 |          | MO/R        |       | 1W,10 ohm,+/-5%                         | 1           |
| 26      | RR0302000620 |          | MO/R        |       | 2W,20 ohm,+/-5%                         | 2           |
| 27      | RR0700022842 |          | CEMENT RES  |       | 5W,0.22 ohm,+/-5%,ERECT,13*9*25mm       | 4           |
| 28      | RR0810010000 |          | THERMAL RES |       | 1K ohm,+/-5%,?????                      | 1           |
| 29      | RR0820020001 |          | THERMAL RES |       | 20K ohm,+/-5%,?????,??????              | 1           |
| 30      | CC1100005110 |          | C/C         |       | 101/50V,+/-5%,NPO                       | 2           |
| 31      | CC1220005110 |          | C/C         |       | 221/50V,+/-5%,NPO                       | 1           |

|    |              |  |                |  |                                       |   |
|----|--------------|--|----------------|--|---------------------------------------|---|
| 32 | CC2100309010 |  | M/C            |  | 104/100V,+/-5%                        | 1 |
| 33 | CC2470109010 |  | M/C            |  | 472/100V,+/-5%                        | 2 |
| 31 | EC1100505120 |  | E/C            |  | 10UF/50V,+/-20%,85?,è5*11mm           | 5 |
| 32 | EC1100609120 |  | E/C            |  | 100UF/100V,+/-20%,85?,è10*20mm        | 2 |
| 33 | IC0710553200 |  | IC             |  | NE5532P,DIP8                          | 1 |
| 34 | DI0100414800 |  | DIODE          |  | 1N4148,75V,200mA,1/2W                 | 4 |
| 35 | DI0100400400 |  | DIODE          |  | 1N4004,400V,1A                        | 2 |
| 36 | TR0103018150 |  | TR             |  | 2SC1815GR,150mA,50V,400mW,NPN         | 1 |
| 37 | TR0204010150 |  | TR             |  | 2SA1015GR,150mA,50V,400mW,PNP         | 1 |
| 38 | TR0116032060 |  | TR             |  | C3206Y,KEC                            | 1 |
| 39 | TR0215010240 |  | TR             |  | A1024Y,KEC                            | 1 |
| 40 | TR0101000130 |  | TR             |  | MPSA13,500mA,30V,625mV,NPN,DARLINGTON | 1 |
| 41 | TR0103047930 |  | TR             |  | 2SC4793,NPN                           | 1 |
| 42 | TR0204018370 |  | TR             |  | 2SA1837,PNP                           | 1 |
| 43 | TR0108010470 |  | TR             |  | D1047                                 | 2 |
| 44 | TR0207008170 |  | TR             |  | B817                                  | 2 |
| 45 | LN3151000100 |  | NARROW CHOKE   |  | 1.2UH                                 | 1 |
| 46 | VR5033100200 |  | TRIM VR        |  | 331B,F-637V-TR                        | 1 |
| 47 | RA1032010000 |  | RCA JACK       |  | AV-8.4-3,3PIN ,WHITE, GILD            | 1 |
| 48 | JA0800000000 |  | 6.35 JACK      |  | CK3-6.35-02B,GILD,WITH PLASTIC NUT    | 1 |
| 49 | JA0102110000 |  | 2P SOCKET      |  | 2532-02-180 ,P=2.54mm                 | 1 |
| 50 | AL5801200410 |  | 4PIN PLUG WIRE |  | 18#,4P,P=4.0,L=120mm,WITH 8639        | 1 |
| 51 | AL5201500621 |  | 6PIN PLUG WIRE |  | 22#,6P,P=2.54,L=150mm                 | 1 |

## BOM

| PRODUCT | HOME AMP     | MODEL       | RA150(2*75W)AMP BOARD PARTS(L CHANNEL) |     |
|---------|--------------|-------------|----------------------------------------|-----|
| NO.     | PART NO.     | MATERIAL    | SPECIFICATION                          | QTY |
| 1       | CB0118001000 | PCB         | RA300AL,V1.2,178.5*80.5mm,2OZ          | 1   |
| 2       | JP1080750000 | JUMPER      | è0.8*7.5mm                             | 5   |
| 3       | JP1081000000 | JUMPER      | è0.8*10mm                              | 9   |
| 4       | JP1081250000 | JUMPER      | è0.8*12.5mm                            | 1   |
| 5       | JP1081500000 | JUMPER      | è0.8*15mm                              | 1   |
| 6       | RR0100000210 | C/R         | 1/8W,0 ohm,+/-5%,                      | 3   |
| 7       | RR0101000210 | C/R         | 1/8W,10 ohm,+/-5%,                     | 4   |
| 8       | RR0104700210 | C/R         | 1/8W,47 ohm,+/-5%,                     | 1   |
| 9       | RR0110000210 | C/R         | 1/8W,100 ohm,+/-5%,                    | 2   |
| 10      | RR0127000210 | C/R         | 1/8W,270 ohm,+/-5%,                    | 2   |
| 11      | RR0156000210 | C/R         | 1/8W,560 ohm,+/-5%,                    | 1   |
| 12      | RR0168000210 | C/R         | 1/8W,680 ohm,+/-5%,                    | 2   |
| 13      | RR0191000210 | C/R         | 1/8W,910 ohm,+/-5%,                    | 1   |
| 14      | RR0110010210 | C/R         | 1/8W,1K ohm,+/-5%,                     | 1   |
| 15      | RR0115010210 | C/R         | 1/8W,1.5K ohm,+/-5%,                   | 2   |
| 16      | RR0156010210 | C/R         | 1/8W,5.6K ohm,+/-5%,                   | 2   |
| 17      | RR0115020210 | C/R         | 1/8W,15K ohm,+/-5%,                    | 2   |
| 18      | RR0120020210 | C/R         | 1/8W,20K ohm,+/-5%,                    | 1   |
| 19      | RR0147020210 | C/R         | 1/8W,47K ohm,+/-5%,                    | 2   |
| 20      | RR0110030210 | C/R         | 1/8W,100K ohm,+/-5%,                   | 1   |
| 21      | RR0122000410 | C/R         | 1/2W,220 ohm,+/-5%,                    | 1   |
| 22      | RR0410010210 | M/R         | 1/8W,1K ohm,+/-1%,                     | 2   |
| 23      | RR0300470410 | MO/R        | 1/2W,4.7 ohm,+/-5%,                    | 1   |
| 24      | RR0301000520 | MO/R        | 1W,10 ohm,+/-5%                        | 1   |
| 25      | RR0302000620 | MO/R        | 2W,20 ohm,+/-5%,                       | 2   |
| 26      | RR0700022842 | CEMENT RES  | 5W,0.22 ohm,+/-5% 13*9*25mm            | 4   |
| 27      | RR0810010000 | THERMAL RES | 1K ohm,+/-5%                           | 1   |
| 28      | RR0820020001 | THERMAL RES | 20K ohm,+/-5%                          | 1   |
| 29      | CC1100005110 | C/C         | 101/50V,+/-5%,NPO                      | 2   |
| 30      | CC1220005110 | C/C         | 221/50V,+/-5%,NPO                      | 1   |
| 31      | CC1270105520 | C/C         | 272/50V,+/-10%,Y5P                     | 1   |



|    |              |  |                |  |                                       |   |
|----|--------------|--|----------------|--|---------------------------------------|---|
| 32 | CC1270105520 |  | C/C            |  | 272/50V,+/-10%,Y5P                    | 1 |
| 33 | CC2100309010 |  | M/C            |  | 104/100V,+/-5%                        | 1 |
| 31 | CC2470109010 |  | M/C            |  | 472/100V,+/-5%                        | 2 |
| 32 | EC1100505120 |  | E/C            |  | 10UF/50V,+/-20%,85?,è5*12mm           | 5 |
| 33 | EC1100609120 |  | E/C            |  | 100UF/100V,+/-20%,85?,è10*20mm        | 2 |
| 34 | IC0710553200 |  | IC             |  | NE5532P,DIP8                          | 1 |
| 35 | DI0100414800 |  | DIODE          |  | 1N4148,75V,200mA,1/2W                 | 4 |
| 36 | DI0100400400 |  | DIODE          |  | 1N4004,400V,1A                        | 2 |
| 37 | TR0103018150 |  | TR             |  | 2SC1815GR,150mA,50V,400mW,NPN         | 1 |
| 38 | TR0204010150 |  | TR             |  | 2SA1015GR,150mA,50V,400mW,PNP         | 1 |
| 39 | TR0116032060 |  | TR             |  | C3206Y,KEC                            | 1 |
| 40 | TR0215010240 |  | TR             |  | A1024Y,KEC                            | 1 |
| 41 | TR0101000130 |  | TR             |  | MPSA13,500mA,30V,625mV,NPN,DARLINGTON | 1 |
| 42 | TR0103047930 |  | TR             |  | 2SC4793,NPN                           | 1 |
| 43 | TR0204018370 |  | TR             |  | 2SA1837,PNP                           | 1 |
| 44 | TR0108010470 |  | TR             |  | D1047                                 | 2 |
| 45 | TR0207008170 |  | TR             |  | B817                                  | 2 |
| 46 | LN3151000100 |  | NARROW CHOKE   |  | ERECT,1.2UH                           | 1 |
| 47 | VR5033100200 |  | TRIM VR        |  | 331B,F-637V-TR                        | 1 |
| 48 | RA1022010000 |  | RCA JACK       |  | AV-8.4-3,3PIN , GILD                  | 1 |
| 49 | JA0800000000 |  | 6.35 JACK      |  | CK3-6.35-02B,GILD,WITH PLASTIC NUT    | 1 |
| 50 | JA0102110000 |  | 2P SOCKET      |  | 2532-02-180?,P=2.54mm                 | 1 |
| 51 | SW0202204000 |  | SWITCH         |  | SK-22F03-G04,L=4mm?COMAX?             | 1 |
| 52 | AL5803500410 |  | 4PIN PLUG WIRE |  | 18#,4P,P=4.0,L=350mm,WITH 8639 PLUG   | 1 |
| 53 | AL5203500620 |  | 6PIN PLUG WIRE |  | 22#,6P,P=2.54,L=350mm                 | 1 |

# BOM

| BOM     |              |              |                                                |  |  | PE-QT-016-A |
|---------|--------------|--------------|------------------------------------------------|--|--|-------------|
| PRODUCT | HOME AMP     | MODEL        | RA150(2*75W)AMP DRIVER BOARD PARTS (L CHANNEL) |  |  | PAGE        |
| NO.     | PART NO.     | MATERIAL     | SPECIFICATION                                  |  |  | QTY         |
| 1       | CB0818101000 | PCB          | RA500DRV,V1.1(120*38mm),2OZ??                  |  |  | 1           |
| 2       | JP1080500000 | JUMPER       | è0.8*5mm                                       |  |  | 3           |
| 3       | JP1081000000 | JUMPER       | è0.8*10mm                                      |  |  | 1           |
| 4       | JP1081500000 | JUMPER       | è0.8*15mm                                      |  |  | 1           |
| 5       | RR0433000210 | M/R          | 1/8W,330 ohm,+/-1%,                            |  |  | 1           |
| 6       | RR0410020210 | M/R          | 1/8W,10K ohm,+/-1%,                            |  |  | 2           |
| 7       | RR0100000210 | C/R          | 1/8W,0 ohm,+/-5%,                              |  |  | 3           |
| 8       | RR0103900210 | C/R          | 1/8W,39 ohm,+/-5%,                             |  |  | 4           |
| 9       | RR0104700210 | C/R          | 1/8W,47 ohm,+/-5%,                             |  |  | 2           |
| 10      | RR0127000210 | C/R          | 1/8W,270 ohm,+/-5%,                            |  |  | 2           |
| 11      | RR0156000210 | C/R          | 1/8W,560 ohm,+/-5%,                            |  |  | 1           |
| 12      | RR0110010210 | C/R          | 1/8W,1K ohm,+/-5%,                             |  |  | 5           |
| 13      | RR0127010210 | C/R          | 1/8W,2.7K ohm,+/-5%,                           |  |  | 1           |
| 14      | RR0151010210 | C/R          | 1/8W,5.1K ohm,+/-5%,                           |  |  | 2           |
| 15      | RR0168010210 | C/R          | 1/8W,6.8K ohm,+/-5%,                           |  |  | 2           |
| 16      | RR0110020210 | C/R          | 1/8W,10K ohm,+/-5%,                            |  |  | 1           |
| 17      | RR0122020210 | C/R          | 1/8W,22K ohm,+/-5%,                            |  |  | 2           |
| 18      | RR0133020210 | C/R          | 1/8W,33K ohm,+/-5%,                            |  |  | 3           |
| 19      | RR0168020210 | C/R          | 1/8W,68K ohm,+/-5%,                            |  |  | 2           |
| 20      | CC1005005110 | C/C          | 5PF/50V,+/-5%,NPO                              |  |  | 1           |
| 21      | CC1022009110 | C/C          | 22PF/100V,+/-5%,NPO                            |  |  | 2           |
| 22      | CC1100105520 | C/C          | 102/50V,+/-10%,Y5P                             |  |  | 1           |
| 23      | CC1100305250 | C/C          | 104/50V,+80/-20%,Y5V                           |  |  | 3           |
| 24      | EC4100405120 | NON-POLARITY | 1UF/50V,+/-20%,85?,è4*7mm                      |  |  | 1           |
| 25      | EC1100405120 | E/C          | 1UF/50V,+/-20%,85?,è5*12mm                     |  |  | 1           |
| 26      | EC1220409120 | E/C          | 2.2UF/100V,+/-20%,85?,è5*12mm                  |  |  | 1           |
| 27      | EC1100505120 | E/C          | 10UF/50V,+/-20%,85?,è5*12mm                    |  |  | 1           |
| 28      | EC1220503120 | E/C          | 22UF/25V,+/-20%,85?,è5*12mm                    |  |  | 2           |
| 29      | EC3100602120 | LOW LEAKAGE  | 100UF/16V,+/-20%,85?,è6.3*11mm                 |  |  | 1           |
| 30      | IC0110456000 | IC           | BA4560,DIP8                                    |  |  | 1           |
| 31      | DI0100414800 | DIODE        | 1N4148,75V,200mA,1/2W                          |  |  | 7           |

|    |              |  |                |  |                                 |   |
|----|--------------|--|----------------|--|---------------------------------|---|
| 32 | TR0103018150 |  | TR             |  | 2SC1815GR,150mA,50V,400mW,NPN   | 1 |
| 33 | TR0204010150 |  | TR             |  | 2SA1015GR,150mA,50V,400mW,PNP   | 3 |
| 34 | TR0103022400 |  | TR             |  | 2SC2240,100mA,120V,400mW,NPN    | 2 |
| 35 | TR0204009700 |  | TR             |  | 2SA970,100mA,120V,400mW,PNP     | 2 |
| 36 | TR0116032060 |  | TR             |  | A1024Y,KEC                      | 1 |
| 37 | TR0215010240 |  | TR             |  | C3206Y,KEC                      | 1 |
| 38 | JA0102110000 |  | 2P SOCKET      |  | 2532-02-180?,P=2.54mm           | 1 |
| 39 | AL3501800220 |  | 2P SHIELD WIRE |  | 2P,P=2.54mm,L=180mm, GRAY       | 1 |
| 40 | AL3502200220 |  | 2P SHIELD WIRE |  | 2P,P=2.54mm,L=220mm, GRAY       | 1 |
| 41 | VR1210307200 |  | VR             |  | F10K,RV16A-20-F14(ALPHA),L=20mm | 1 |

# BOM

| PRODUCT | HOME AMP     | MODEL        | RA150(2*75W)AMP DRIVE BOARD PARTS(R CHANNEL) | PAGE |
|---------|--------------|--------------|----------------------------------------------|------|
| NO.     | PART NO.     | MATERIAL     | SPECIFICATION                                | QTY  |
| 1       | CB0818101000 | PCB          | RA500DRV,V1.1(120*38mm),2OZ??                | 1    |
| 2       | JP1080500000 | JUMPER       | è0.8*5mm                                     | 2    |
| 3       | JP1081000000 | JUMPER       | è0.8*10mm                                    | 1    |
| 4       | JP1081500000 | JUMPER       | è0.8*15mm                                    | 2    |
| 5       | RR0433000210 | M/R          | 1/8W,330 ohm,+/-1%,                          | 2    |
| 6       | RR0410020210 | M/R          | 1/8W,10K ohm,+/-1%,                          | 2    |
| 7       | RR0100000210 | C/R          | 1/8W,0 ohm,+/-5%,                            | 3    |
| 8       | RR0103900210 | C/R          | 1/8W,39 ohm,+/-5%,                           | 4    |
| 9       | RR0104700210 | C/R          | 1/8W,47 ohm,+/-5%,                           | 2    |
| 10      | RR0127000210 | C/R          | 1/8W,270 ohm,+/-5%,                          | 2    |
| 11      | RR0156000210 | C/R          | 1/8W,560 ohm,+/-5%,                          | 1    |
| 12      | RR0110010210 | C/R          | 1/8W,1K ohm,+/-5%,                           | 5    |
| 13      | RR0127010210 | C/R          | 1/8W,2.7K ohm,+/-5%,                         | 1    |
| 14      | RR0151010210 | C/R          | 1/8W,5.1K ohm,+/-5%,                         | 2    |
| 15      | RR0168010210 | C/R          | 1/8W,6.8K ohm,+/-5%,                         | 2    |
| 16      | RR0110020210 | C/R          | 1/8W,10K ohm,+/-5%,                          | 1    |
| 17      | RR0122020210 | C/R          | 1/8W,22K ohm,+/-5%,                          | 2    |
| 18      | RR0133020210 | C/R          | 1/8W,33K ohm,+/-5%,                          | 3    |
| 19      | RR0168020210 | C/R          | 1/8W,68K ohm,+/-5%,                          | 2    |
| 20      | CC1005005110 | C/C          | 5PF/50V,+/-5%,NPO                            | 1    |
| 21      | CC1022009110 | C/C          | 22PF/100V,+/-5%,NPO                          | 2    |
| 22      | CC1100105520 | C/C          | 102/50V,+/-10%,Y5P                           | 1    |
| 23      | CC1100305250 | C/C          | 104/50V,+80/-20%,Y5V                         | 3    |
| 24      | CC2470109010 | M/C          | 472/100V,+/-5%                               | 1    |
| 25      | EC4100405120 | NON POLARITY | 1UF/50V,+/-20%,85?,è4*7mm                    | 1    |
| 26      | EC1100405120 | E/C          | 1UF/50V,+/-20%,85?,è5*12mm                   | 1    |
| 27      | EC1220409120 | E/C          | 2.2UF/100V,+/-20%,85?,è5*12mm                | 1    |
| 28      | EC1100505120 | E/C          | 10UF/50V,+/-20%,85?,è5*12mm                  | 1    |
| 29      | EC1220503120 | E/C          | 22UF/25V,+/-20%,85?,è5*12mm                  | 2    |
| 30      | EC3100602120 | LOW LEAKAGE  | 100UF/16V,+/-20%,85?,è6.3*11mm               | 1    |
| 31      | IC0110456000 | IC           | BA4560,DIP8                                  | 1    |

|    |              |  |                |  |                                 |   |
|----|--------------|--|----------------|--|---------------------------------|---|
| 32 | DI0100414800 |  | DIODE          |  | 1N4148,75V,200mA,1/2W           | 7 |
| 31 | TR0103018150 |  | TR             |  | 2SC1815GR,150mA,50V,400mW,NPN   | 1 |
| 32 | TR0204010150 |  | TR             |  | 2SA1015GR,150mA,50V,400mW,PNP   | 3 |
| 33 | TR0103022400 |  | TR             |  | 2SC2240,100mA,120V,400mW,NPN    | 2 |
| 34 | TR0204009700 |  | TR             |  | 2SA970,100mA,120V,400mW,PNP     | 2 |
| 35 | TR0116032060 |  | TR             |  | A1024Y,KEC                      | 1 |
| 36 | TR0215010240 |  | TR             |  | C3206Y,KEC                      | 1 |
| 37 | JA0102110000 |  | 2P SOCKTE      |  | 2532-02-180?,P=2.54mm           | 1 |
| 38 | AL3501800220 |  | 2P SHIELD WIRE |  | 2P,P=2.54mm,L=180mm, GRAY       | 1 |
| 39 | AL3502200220 |  | 2P SHIELD WIRE |  | 2P,P=2.54mm,L=220mm, GRAY       | 1 |
| 40 | VR1210307200 |  | VR             |  | F10K,RV16A-20-F14(ALPHA),L=20mm | 1 |

## BOM

| PRODUCT | HOME AMP     | MODEL    | RA150(2*75W) AMP POWER BOARD PARTS | PAGE |
|---------|--------------|----------|------------------------------------|------|
| NO.     | PART NO.     | MATERIAL | SPECIFICATION                      | QTY  |
| 1       | CB0918101000 | PCB      | RA500PWR,V1.1 (179*90mm),2OZ       | 1    |
| 2       | JP1080500000 | JUMPER   | è0.8*5mm                           | 2    |
| 3       | JP1080750000 | JUMPER   | è0.8*7.5mm                         | 1    |
| 4       | JP1081000000 | JUMPER   | è0.8*10mm                          | 4    |
| 5       | JP1081250000 | JUMPER   | è0.8*12.5mm                        | 1    |
| 6       | JP1081500000 | JUMPER   | è0.8*15mm                          | 6    |
| 7       | JP1082000000 | JUMPER   | è0.8*20mm                          | 3    |
| 8       | RR0100000210 | C/R      | 1/8W,0 ohm,+/-5%,                  | 1    |
| 9       | RR0122010210 | C/R      | 1/8W,2.2K ohm,+/-5%,               | 3    |
| 10      | RR0175010210 | C/R      | 1/8W,7.5K ohm,+/-5%,               | 1    |
| 11      | RR0110020210 | C/R      | 1/8W,10K ohm,+/-5%,                | 1    |
| 12      | RR0118020210 | C/R      | 1/8W,18K ohm,+/-5%,                | 3    |
| 13      | RR0120020210 | C/R      | 1/8W,20K ohm,+/-5%,                | 1    |
| 14      | RR0133020210 | C/R      | 1/8W,33K ohm,+/-5%,                | 1    |
| 15      | RR0147020210 | C/R      | 1/8W,47K ohm,+/-5%,                | 1    |
| 16      | RR0156020210 | C/R      | 1/8W,56K ohm,+/-5%,                | 2    |
| 17      | RR0110030210 | C/R      | 1/8W,100K ohm,+/-5%,               | 5    |
| 18      | RR0468000210 | M/R      | 1/8W,680 ohm,+/-1%,                | 2    |
| 19      | RR0422010210 | M/R      | 1/8W,2.2K ohm,+/-1%,               | 1    |
| 20      | RR0300470550 | MO/R     | 1W,4.7 ohm,+/-5%, ERECT            | 2    |
| 21      | RR0327000620 | MO/R     | 2W,270 ohm,+/-5%                   | 1    |
| 22      | RR0347000620 | MO/R     | 2W,470 ohm,+/-5%                   | 2    |
| 23      | RR0368000620 | MO/R     | 2W,680 ohm,+/-5%                   | 1    |
| 24      | CC1100309250 | C/C      | 104/100V,+80/-20%,Y5V              | 4    |
| 25      | CC2100309010 | M/C      | 104/100V,+/-5%                     | 3    |
| 26      | EC1470305120 | E/C      | 0.47UF/50V,+/-20%,85?,è5*12mm      | 1    |
| 27      | EC1100409120 | E/C      | 1UF/100V,+/-20%,85?,è5*12mm        | 1    |
| 28      | EC1470405120 | E/C      | 4.7UF/50V,+/-20%,85?,è5*12mm       | 1    |
| 31      | EC1470503120 | E/C      | 47UF/25V,+/-20%,85?,è5*12mm        | 1    |
| 32      | EC1100602120 | E/C      | 100UF/16V,+/-20%,85?,è5*12mm       | 2    |
| 33      | EC1220602120 | E/C      | 220UF/16V,+/-20%,85?,è6.3*12mm     | 1    |

|    |              |  |                  |  |                                             |   |
|----|--------------|--|------------------|--|---------------------------------------------|---|
| 34 | EC1220603121 |  | E/C              |  | 220UF/25V,+/-20%,85?,ø8*12mm                | 2 |
| 35 | EC1680705130 |  | E/C              |  | 6800UF/50V,+50/-0%,85?,è25*42mm             | 2 |
| 36 | CC8470115030 |  | APPROVED CAP     |  | 472/400V,+/-20%,C/C                         | 2 |
| 37 | CC8100214020 |  | APPROVED CAP     |  | 103/275V,+/-20%                             | 1 |
| 38 | IC0620731700 |  | IC               |  | TA7317P,SIP9                                | 1 |
| 39 | ZD1012010000 |  | ZENNER DIODE     |  | 12V,1/2W                                    | 1 |
| 40 | ZD1015020000 |  | ZENNER DIODE     |  | 1W,15V                                      | 2 |
| 42 | DI0100400400 |  | DIODE            |  | 1N4004,400V,1A                              | 2 |
| 43 | DI0300080200 |  | BRIDGE RECTIFIER |  | RS802,8A/200V                               | 1 |
| 44 | TR0103018150 |  | TR               |  | 2SC1815GR,150mA,50V,400mW,NPN               | 1 |
| 45 | TR0103020610 |  | TR               |  | C2061,NPN                                   | 1 |
| 46 | JA0102320000 |  | SOCKET           |  | 2PIN,PITCH=4mm                              | 1 |
| 47 | JA0103320000 |  | SOCKET           |  | 3PIN,PITCH=4mm                              | 1 |
| 48 | JA0104320000 |  | SOCKET           |  | 4PIN,PITCH=4mm                              | 3 |
| 49 | JA0105110000 |  | 5P SOCKET        |  | 2532-05-180 ,P=2.54mm                       | 1 |
| 50 | JA0106110000 |  | 6P SOCKET        |  | 2532-06-180 ,P=2.54mm                       | 2 |
| 51 | SW0900000000 |  | POWER SWITCH     |  | 8212-2(CHILY), WITH M3.0*0.5mm SCREW THREAD | 1 |
| 52 | PD6000000000 |  | SLIP             |  | E665                                        | 3 |
| 53 | RE6005012000 |  | RELAY            |  | 12V,DW323-D12S,?5A?                         | 1 |

## BOM

| BOM     |              |          |              |       |                                             |      |
|---------|--------------|----------|--------------|-------|---------------------------------------------|------|
| PRODUCT |              | HOME AMP |              | MODEL | RA150(2*75W)AMP POWER INDICATOR BOARD PARTS | PAGE |
| NO.     | PART NO.     |          | MATERIAL     |       | SPECIFICATION                               | QTY  |
| 1       | CB1017901000 |          | PCB          |       | RA150LED,V1.1 (125*25mm),2OZ??              | 1    |
| 2       | JP1081500000 |          | JUMPER       |       | è0.8*15mm                                   | 2    |
| 3       | RR0100000210 |          | C/R          |       | 1/8W,0 ohm,+/-5%,                           | 1    |
| 4       | RR0110010210 |          | C/R          |       | 1/8W,1K ohm,+/-5%,                          | 2    |
| 5       | RR0115010210 |          | C/R          |       | 1/8W,1.5K ohm,+/-5%,                        | 3    |
| 6       | RR0122010210 |          | C/R          |       | 1/8W,2.2K ohm,+/-5%,                        | 8    |
| 8       | RR0133020210 |          | C/R          |       | 1/8W,33K ohm,+/-5%,                         | 2    |
| 9       | RR0120020210 |          | C/R          |       | 1/8W,20K ohm,+/-5%,                         | 2    |
| 10      | RR0147020210 |          | C/R          |       | 1/8W,47K ohm,+/-5%,                         | 2    |
| 11      | RR0168020210 |          | C/R          |       | 1/8W,68K ohm,+/-5%,                         | 2    |
| 12      | RR0110030210 |          | C/R          |       | 1/8W,100K ohm,+/-5%,                        | 2    |
| 13      | EC2100505120 |          | MINI E/C     |       | 10UF/50V,+/-20%,85?,è5*7mm                  | 4    |
| 14      | EC2330305120 |          | MINI E/C     |       | 0.33UF/50V,+/-20%,85?,è4*7mm                | 4    |
| 15      | DI0100414800 |          | DIODE        |       | 1N4148,75V,200mA,1/2W                       | 12   |
| 16      | LD0612205020 |          | LED          |       | 2*5mm, RSG302N                              | 2    |
| 17      | LD1012205020 |          | LED          |       | 2*5mm, RB432NC                              | 1    |
| 18      | TR0103018150 |          | TR           |       | 2SC1815GR,150mA,50V,400mW,NPN               | 4    |
| 19      | TR0204010150 |          | TR           |       | 2SA1015GR,150mA,50V,400mW,PNP               | 2    |
| 20      | AL5302000520 |          | 5P PLUG WIRE |       | 5PIN,P=2.54mm,24#,UL1007,L=200mm            | 1    |



# BOM

| PRODUCT | HOME AMP     | MODEL               | RA150(2*75W )PROFESSIONAL AMPLIFIER     | PAGE |
|---------|--------------|---------------------|-----------------------------------------|------|
| NO.     | PART NO.     | MATERIAL            | SPECIFICATION                           | QTY  |
| 1       | SM1017900000 | RA150LED PARTS      | 2*75W AMP POWER INDICATOR BOARD PARTS   | 1    |
| 2       | SM1117900000 | RA150PWR PARTS      | 2*75W POWER BOARD PARTS                 | 1    |
| 3       | SM1217900000 | RA150DRV-L PARTS    | 2*75W AMP DRIVER BOARD PARTS(L CHANNEL) | 1    |
| 4       | SM1217900000 | RA150DRV-R PARTS    | 2*75W AMP DREIVE BOARD PARTS(R CHANNEL) | 1    |
| 5       | SM0117900000 | RA150AL PARTS       | 2*75W AMP BOARD PARTS(L CHANNEL)        | 1    |
| 6       | SM0117900001 | RA150AR PARTS       | 2*75W AMP BOARD PARTS(R CHANNEL)        | 1    |
| 7       | FU2030125001 | FUSE                | 5*20mm,5TT3A250V(5TT)FOR                | 1    |
|         | FU2016125001 |                     | 115V,5TT1.6A250V(5TT)FOR 230V           |      |
| 8       | FS2000000002 | FUSE HOLDER         | FH-B02                                  | 1    |
| 10      | TT2221020301 | EI POWER TRANS      | 150W,AC115/230V INPUT, AC32.8V*2 OUTPUT | 1    |
| 11      | PP2102002500 | MICA FILM           | 20*25mm                                 | 8    |
| 12      | WL2150120400 | GND CABLE           | L=150mm,18# YELLOW IN GREEN             | 1    |
| 13      | WL4120050570 | UL1617CABLE         | L=120mm,20# YELLOW                      | 1    |
| 14      | WL4280050560 | UL1617CABLE         | L=280mm,20# YELLOW                      | 1    |
| 15      | WL4280100570 | UL1617CABLE         | L=280mm,20# WHITE                       | 1    |
| 16      | WL4220050500 | UL1617CABLE         | L=220mm,20# YELLOW,NO SKIN 10mm,TINNING | 1    |
| 17      | WL4180100560 | UL1617CABLE         | L=180mm,20# WHITE                       | 1    |
| 18      | WL4250100560 | UL1617CABLE         | L=250mm,20# WHITE                       | 1    |
| 20      | AL5801800410 | 4PINCABLE           | L=180mm,18#,UL1015,PITCH=4mm            | 1    |
| 21      | HP1233110000 | BINDING POST        | A215BK ,GILD                            | 2    |
| 22      | SW1100000000 | VOLTAGE SELE SWITCH | HF-308                                  | 1    |
| 23      | JA0403000002 | POWER SOCKET        | 3PIN,3516-4                             | 1    |
| 24      | PT1040015000 | THERMAL SLEEVE      | è4*15mm,BLK                             | 8    |
| 25      | PT1200040000 | THERMAL SLEEVE      | è20*40mm,BLK                            | 1    |
| 26      | PT1250040000 | THERMAL SLEEVE      | è25*40mm,BLK                            | 1    |
| 27      | PT1400040000 | THERMAL SLEEVE      | è40*40mm,BLK                            | 1    |
| 28      | PB0600000000 | BUSHING             | è2.4*80mm                               | 6    |
| 29      | PB0600000001 | BUSHING             | è2.5*100mm                              | 8    |

# BOM

| PRODUCT | HOME AMP     | MODEL               | RA150(2*75W )PROFESSIONAL AMPLIFIER     | PAGE |
|---------|--------------|---------------------|-----------------------------------------|------|
| NO.     | PART NO.     | MATERIAL            | SPECIFICATION                           | QTY  |
| 1       | SM1017900000 | RA150LED PARTS      | 2*75W AMP POWER INDICATOR BOARD PARTS   | 1    |
| 2       | SM1117900000 | RA150PWR PARTS      | 2*75W POWER BOARD PARTS                 | 1    |
| 3       | SM1217900000 | RA150DRV-L PARTS    | 2*75W AMP DRIVER BOARD PARTS(L CHANNEL) | 1    |
| 4       | SM1217900000 | RA150DRV-R PARTS    | 2*75W AMP DREIVE BOARD PARTS(R CHANNEL) | 1    |
| 5       | SM0117900000 | RA150AL PARTS       | 2*75W AMP BOARD PARTS(L CHANNEL)        | 1    |
| 6       | SM0117900001 | RA150AR PARTS       | 2*75W AMP BOARD PARTS(R CHANNEL)        | 1    |
| 7       | FU2030125001 | FUSE                | 5*20mm,5TT3A250V(5TT)FOR                | 1    |
|         | FU2016125001 |                     | 115V,5TT1.6A250V(5TT)FOR 230V           |      |
| 8       | FS2000000002 | FUSE HOLDER         | FH-B02                                  | 1    |
| 10      | TT2221020301 | EI POWER TRANS      | 150W,AC115/230V INPUT, AC32.8V*2 OUTPUT | 1    |
| 11      | PP2102002500 | MICA FILM           | 20*25mm                                 | 8    |
| 12      | WL2150120400 | GND CABLE           | L=150mm,18# YELLOW IN GREEN             | 1    |
| 13      | WL4120050570 | UL1617CABLE         | L=120mm,20# YELLOW                      | 1    |
| 14      | WL4280050560 | UL1617CABLE         | L=280mm,20# YELLOW                      | 1    |
| 15      | WL4280100570 | UL1617CABLE         | L=280mm,20# WHITE                       | 1    |
| 16      | WL4220050500 | UL1617CABLE         | L=220mm,20# YELLOW,NO SKIN 10mm,TINNING | 1    |
| 17      | WL4180100560 | UL1617CABLE         | L=180mm,20# WHITE                       | 1    |
| 18      | WL4250100560 | UL1617CABLE         | L=250mm,20# WHITE                       | 1    |
| 20      | AL5801800410 | 4PINCABLE           | L=180mm,18#,UL1015,PITCH=4mm            | 1    |
| 21      | HP1233110000 | BINDING POST        | A215BK ,GILD                            | 2    |
| 22      | SW1100000000 | VOLTAGE SELE SWITCH | HF-308                                  | 1    |
| 23      | JA0403000002 | POWER SOCKET        | 3PIN,3516-4                             | 1    |
| 24      | PT1040015000 | THERMAL SLEEVE      | è4*15mm,BLK                             | 8    |
| 25      | PT1200040000 | THERMAL SLEEVE      | è20*40mm,BLK                            | 1    |
| 26      | PT1250040000 | THERMAL SLEEVE      | è25*40mm,BLK                            | 1    |
| 27      | PT1400040000 | THERMAL SLEEVE      | è40*40mm,BLK                            | 1    |
| 28      | PB0600000000 | BUSHING             | è2.4*80mm                               | 6    |
| 29      | PB0600000001 | BUSHING             | è2.5*100mm                              | 8    |

# BOM

| PRODUCT | HOME AMP     | MODEL            | RA150(2*75W) MECHANIC PARTS  | PAGE |
|---------|--------------|------------------|------------------------------|------|
| NO.     | PART NO.     | MATERIAL         | SPECIFICATION                | QTY  |
| 1       | MT0117925800 | TOP COVER        | IRON,1.50MM PAINT BLK SMOOTH | 1    |
| 2       | MT0717925800 | BOTTOM COVER     | IRON,1.51MM PAINT BLK SMOOTH | 1    |
| 3       | MT1017925800 | LEFT SIDE PANEL  | IRON,1.52MM PAINT BLK SMOOTH | 1    |
| 4       | MT1017925801 | RIGHT SIDE PANEL | IRON,1.53MM PAINT BLK SMOOTH | 1    |
| 5       | PL1617911700 | VR SWITCH        | ABS SILIVER                  | 2    |
| 6       | PM2000000000 | PLASTIC FOOT     | BLK PLASTIC,SR-80?           | 4    |
| 7       | PM2005017001 | PLASTIC FOOT     | è17*5*4mm                    | 4    |
| 8       | PM1008008002 | FOAM             | 8*8*3mm,SIGNAL GLUE          | 1    |
| 9       | PL0117940300 | PLATE            | PA765+ SMOKE GRAY            | 1    |
| 10      | PL1717910100 | SWITCH BUTTON    | ABS RED                      | 1    |
| 11      | PL1017911700 | ????             | ABS SILIVER                  | 1    |
| 12      | PL1117920501 | LED CAP          | PC translucence white        | 1    |
| 13      | PL1117920500 | LED CAP          | PC translucence white        | 2    |
| 14      | HS0817930100 | LEFT HEATSINK    | ANODIZE ALUM BLK             | 1    |
| 15      | HS0817930101 | RIGHT HEATSINK   | ANODIZE ALUM BLK             | 1    |
| 16      | PC5403071300 | COPPER           | M3*8                         | 6    |
| 17      | PC5403071000 | COPPER           | M3*10 hole                   | 4    |
| 18      | SC3005206110 | SCREW            | M3*5 ROUND BLK               | 3    |
| 19      | SC3006206110 | SCREW            | M3*6 ROUND BLK               | 7    |
| 20      | SC3008206110 | SCREW            | M3*8 ROUND BLK               | 4    |
| 21      | SC3008206120 | SCREW            | M3*8 ROUND COLORFUL          | 1    |
| 22      | SC3010206110 | SCREW            | M3*10 ROUND BLK              | 8    |
| 23      | SC3014206110 | SCREW            | M3*14 ROUND BLK              | 1    |
| 24      | SC4006206110 | SCREW            | M4*6 ROUND BLK               | 4    |
| 25      | SC4010206110 | SCREW            | M4*10 ROUND BLK              | 16   |
| 26      | SC3006203110 | SCREW            | M3*6?? BLK                   | 2    |
| 27      | SC3006208110 | SCREW            | M3*6?? BLK                   | 16   |
| 28      | SC4014208110 | SCREW            | M4*14?? BLK                  | 4    |
| 29      | SC4012208150 | SCREW            | M4*12 GALV                   | 4    |
| 30      | SC4006212130 | SCREW            | M4*6 INNER HEXANGULAR NECKEL | 4    |
| 31      | SC3006102210 | SCREW            | 3*6 SELF TAP BLK             | 4    |

|    |              |  |                |  |                                      |   |
|----|--------------|--|----------------|--|--------------------------------------|---|
| 32 | MS2113055250 |  | NUT            |  | M3 BLK                               | 1 |
| 33 | MS2133055250 |  | NUT            |  | M3 NICKEL                            | 1 |
| 34 | MS2114070300 |  | NUT            |  | M4 BLK                               | 4 |
| 35 | MS1114210100 |  | FLAT WASHER    |  | OD10*ID4.2*1.0THK BLACK              | 4 |
| 36 | MS1113210100 |  | FLAT WASHER    |  | OD10*ID3.2*1.0THK BLACK              | 9 |
| 37 | MS1113208080 |  | FLAT WASHER    |  | OD8*ID3.2*0.8THK BLACK               | 4 |
| 38 | MS1113206030 |  | FLAT WASHER    |  | OD6*ID3.2*0.3THK BLACK               | 3 |
| 39 | MS1123210100 |  | STAR WASHER    |  | OD10*ID3.2*1.0THK COLORFUL           | 1 |
| 40 | MS1324210100 |  | STAR WASHER    |  | OD10*ID4.2*1.0THK, OUT STAR,COLORFUL | 4 |
| 41 | PM2065088000 |  | PLASTIC WASHER |  | 88*65*2mm                            | 1 |

## BOM

| PRODUCT |              | HOEM AMP |                    | MODEL | RA150(2*75W) PACKAGE | PAGE |
|---------|--------------|----------|--------------------|-------|----------------------|------|
| NO.     | PART NO.     |          | MATERIAL           |       | SPECIFICATION        | QTY  |
| 1       | PW3112220000 |          | POWER SUPPLY CABLE |       | 3PIN 18#,21-00628-02 | 1    |
| 2       | PA1120280300 |          | PE BAG             |       | 120*280*0.?mm        | 1    |
| 3       | PA1360660300 |          | PE BAG             |       | 360*660*0.?mm        | 1    |
| 4       | PA1240350300 |          | PE BAG             |       | 240*350*0.?mm        | 1    |
| 5       | PA1060120100 |          | PE BAG             |       | 60*120*0.06mm        | 1    |
| 6       | LB1797020000 |          | MANUAL             |       | RA SERIES            | 1    |
| 7       | LB1791020000 |          | WARRANTY CARD      |       | SPECIFICATION        | 1    |
| 8       | LB1790020001 |          | SERVICE ADRESS     |       | SPECIFICATION        | 1    |
| 9       | LB1790020000 |          | ???                |       | SPECIFICATION        | 1    |
| 10      | PR1790600000 |          | MODEL STIKER       |       | SPECIFICATION        | 1    |
| 11      | LB1790020002 |          | COLOR PAPER        |       | WITH DRAWING         | 1    |
| 12      | PR1790200000 |          | BAR CODE           |       | SPECIFICATION        | 2    |
| 13      | PR1790200001 |          | BAR CODE           |       | SPECIFICATION        | 6    |
| 14      | PR1790000001 |          | QC LAB             |       | SPECIFICATION        | 1    |
| 15      | PR1790000000 |          | GND STIKER         |       |                      | 1    |
| 16      | PR0001100000 |          | ORIGINAL STIKER    |       | MADE IN CHINA        | 1    |
| 17      | AS0200000000 |          | DESICCANT          |       |                      | 2    |
| 18      | XB1790705000 |          | POLY FOAM          |       | RA150                | 2    |
| 19      | XB1790300000 |          | GIFT BOX           |       | RA150                | 1    |
| 20      | XB1790420000 |          | CARTON             |       | RA150                | 1/2  |